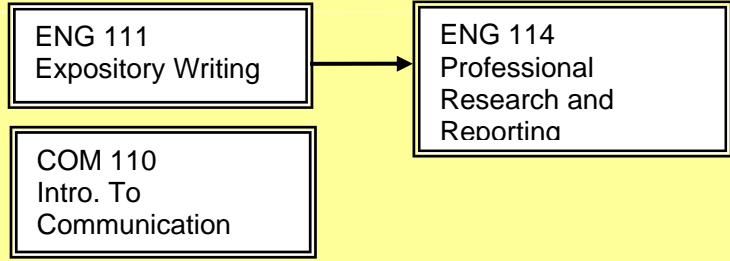
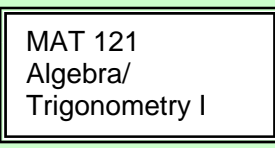


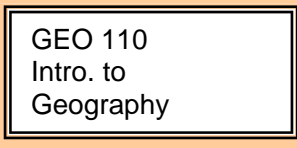
1. Communications Courses



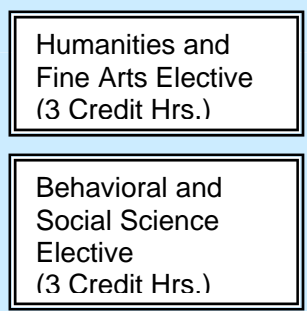
2. Mathematics Courses



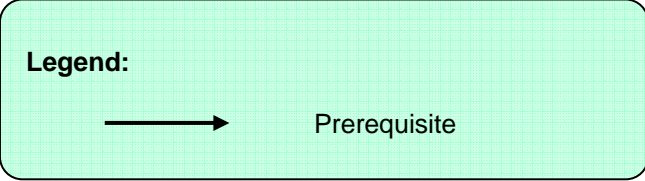
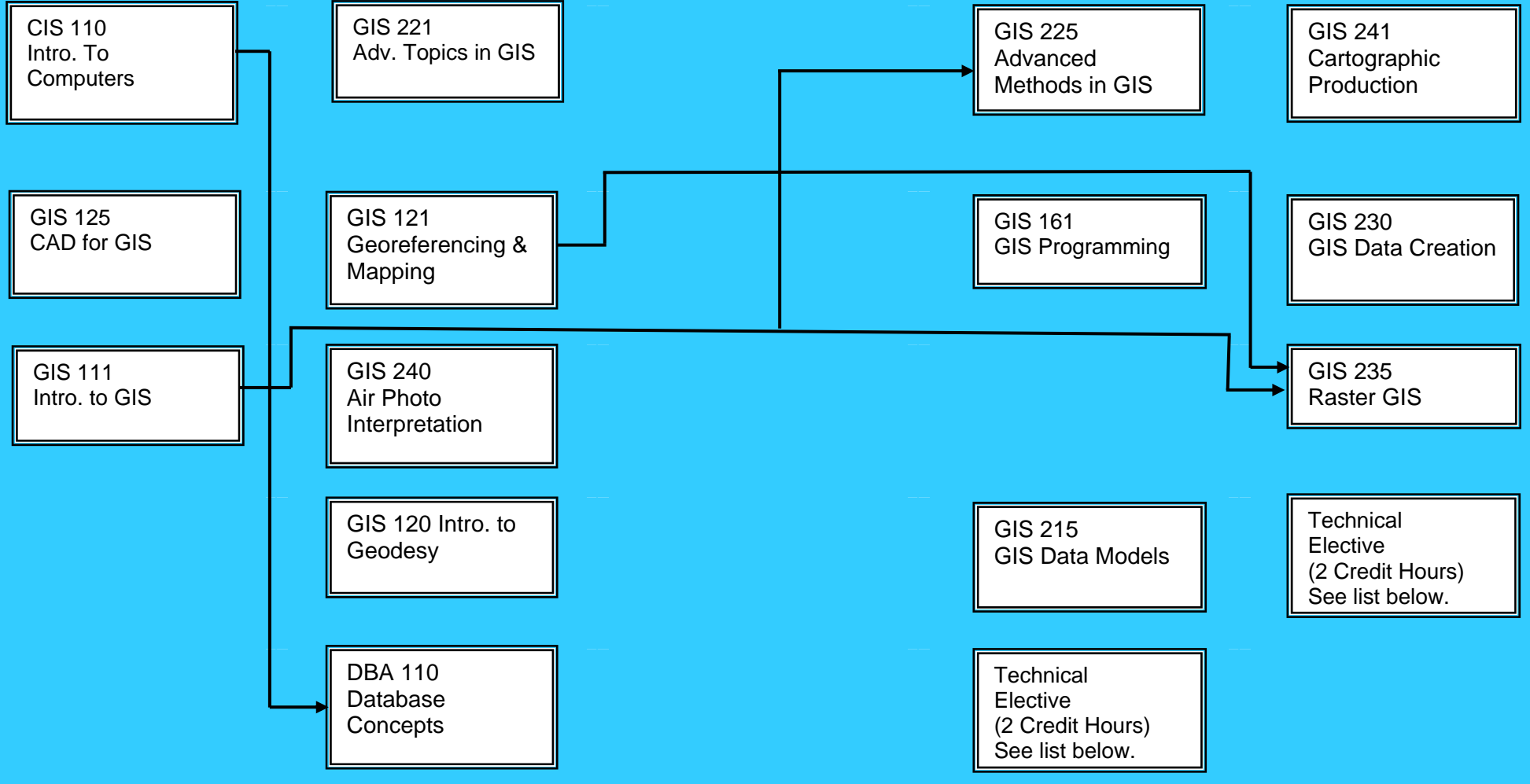
Physical & Natural Sciences



Social Sciences & Humanities



5. Technical Content



GEOSPATIAL TECHNOLOGY CURRICULUM (Effective Fall 2007) (A40220)

| Technical Electives | | |
|---------------------|------|-----------------------------------|
| CIV | 125 | Civil/Surveying CAD |
| COE | 112E | Cooperative Work Experience I |
| CSC | 134 | C++ Programming |
| CSC | 139 | Visual BASIC Programming |
| CSC | 151 | JAVA Programming |
| CSC | 234 | Advanced C++ Programming |
| CSC | 239 | Advanced Visual BASIC Programming |
| DBA | 112 | Database Utilization |
| DBA | 115 | Database Applications |
| GIS | 112 | Introduction to GPS |
| GIS | 211 | GIS/GPS Project |
| GIS | 222 | Internet Mapping |
| GIS | 231 | Geo Positioning Systems Methods |
| or | | |
| SRV | 250 | Advanced Surveying |
| GIS | 232 | Spatial Databases |
| GIS | 245 | Introduction to Spatial Analysis |
| GIS | 246 | Principles of Property Mapping |
| GIS | 251 | Computer Graphics/Mapping |
| GIS | 252 | Utilities in GIS |
| GIS | 255 | Advanced Spatial Analysis |
| GIS | 261 | Advanced GIS Programming |
| SRV | 110 | Surveying I |
| SRV | 111 | Surveying II |
| SRV | 210 | Surveying III |
| SRV | 220 | Surveying Law |