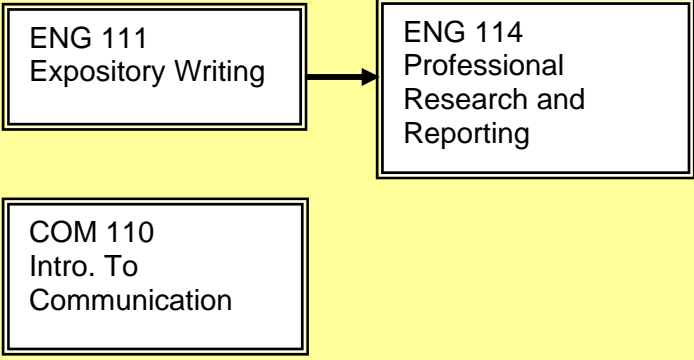
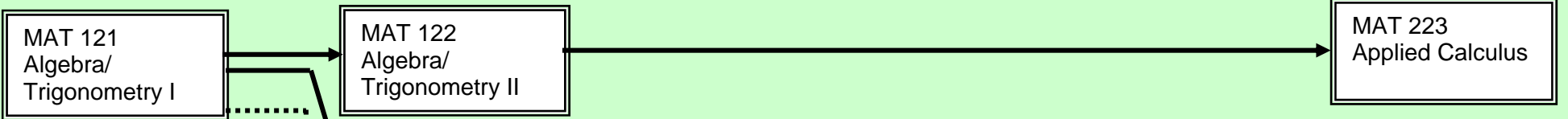


1. Communications Courses



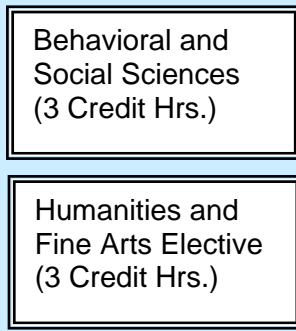
2. Mathematics Courses



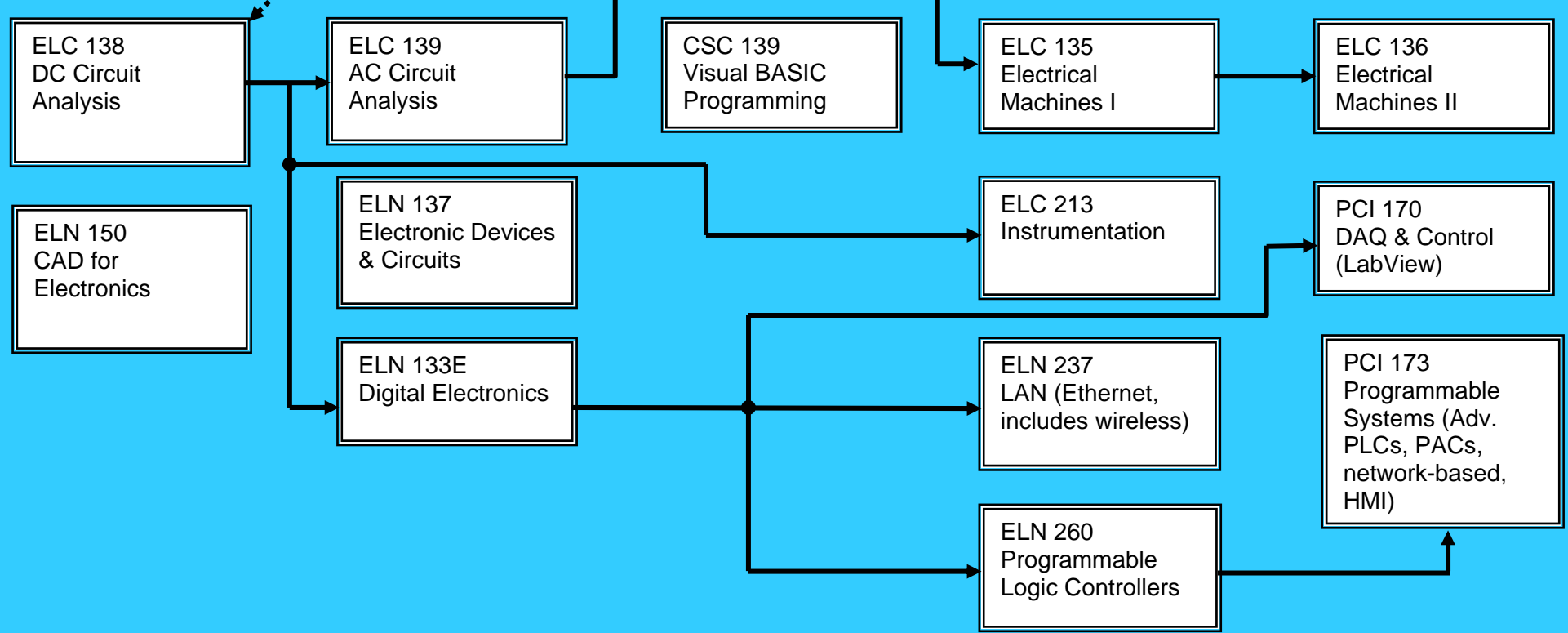
3. Physical & Natural Sciences



4. Social Sciences & Humanities



5. Technical Content



Legend:

→ Prerequisite
 Corequisite

◆————◆ NOTE: The Automation Track will also transfer to B.S.E.T. programs; however, students should complete a second Physics class to ensure that he/she is not considered deficient with credit hours in Physics.

ELECTRICAL ENGINEERING TECHNOLOGY CURRICULUM Automation Track (A40180)

Courses are classified into ABET Criterion 4 categories of:

- Communications
- Mathematics
- Physical & Natural Sciences
- Social Sciences & Humanities
- Technical Content