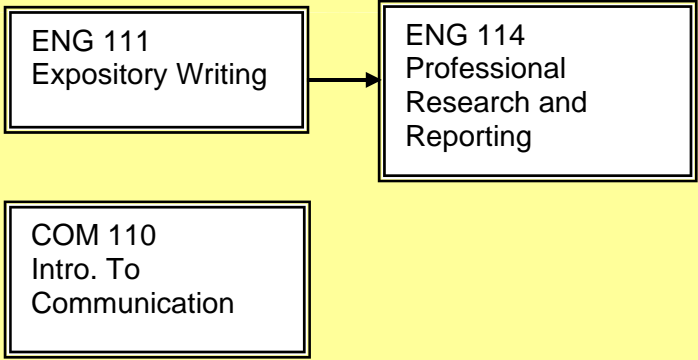
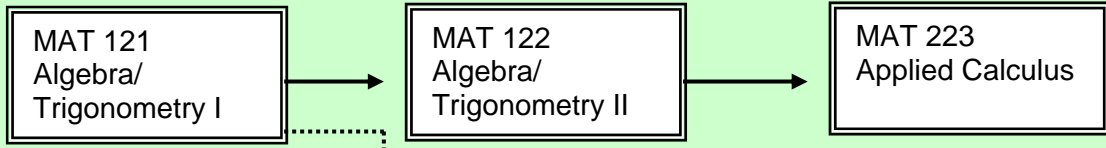


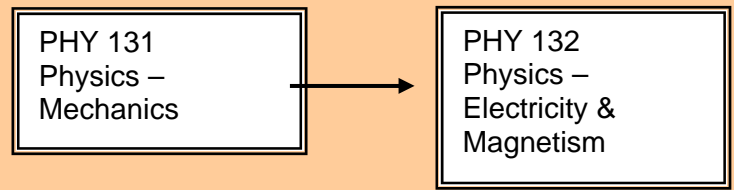
1. Communications Courses



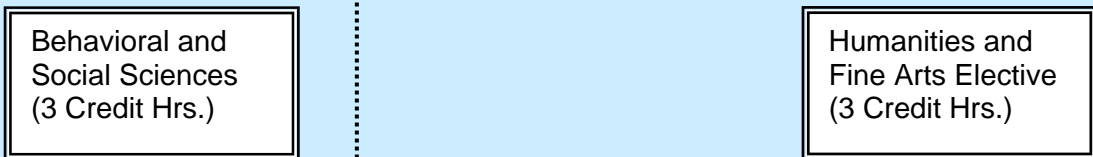
2. Mathematics Courses



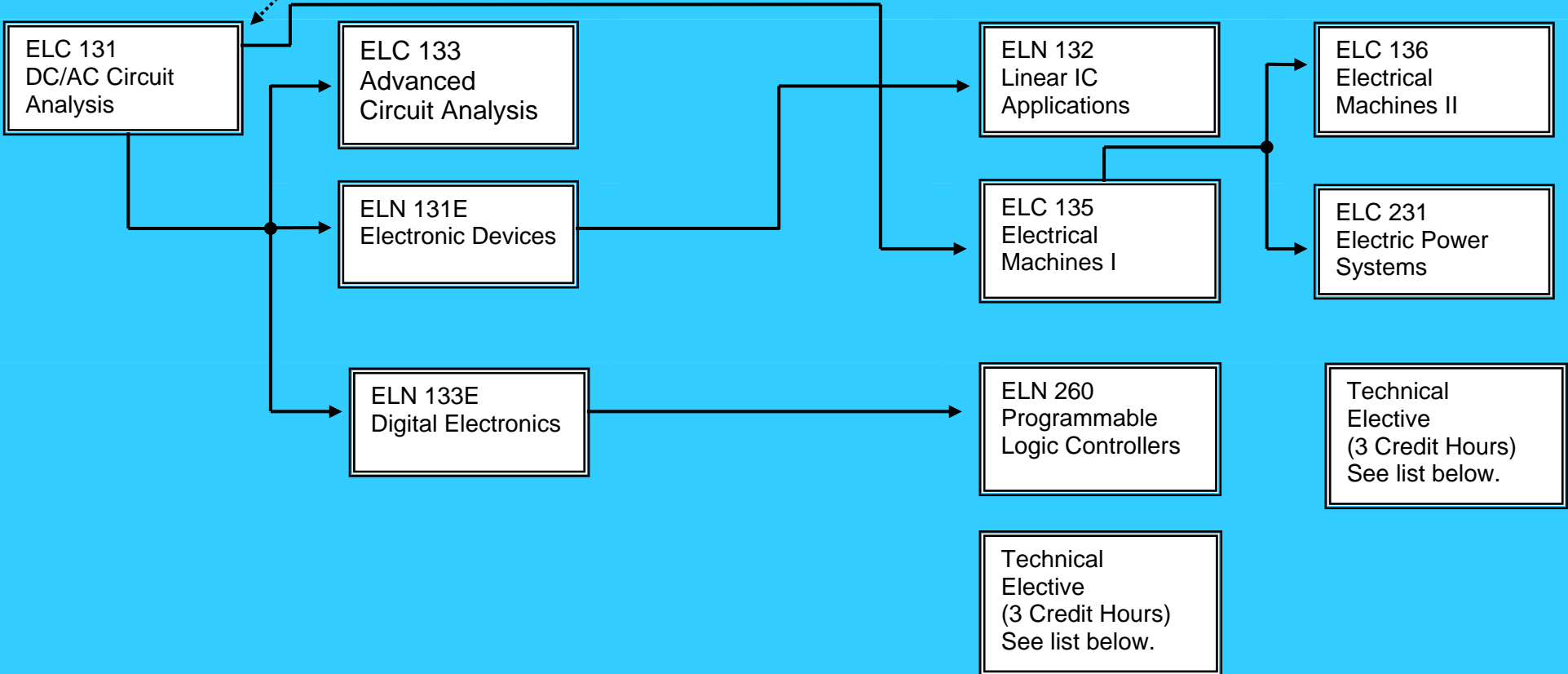
3. Physical & Natural Sciences



4. Social Sciences & Humanities



5. Technical Content



Legend:

→ Prerequisite
 Corequisite

Courses are classified into ABET Criterion 4 categories of:

- Communications
- Mathematics
- Physical & Natural Sciences
- Social Sciences & Humanities
- Technical Content

**ELECTRICAL
 TECHNOLOGY
 CURRICULUM
 (A40180)**

Technical Electives

CET 111	Computer Upgrade/Repair I
CET 211	Computer Upgrade/Repair II
CET 125	Voice & Data Cabling
CIS 110	Intro. To Computers
CIS 174	Network System Management I (Novell)
	OR
CIS 175	Network System Management I (Microsoft)
COE 112C	Cooperative Work Experience I
COE 122C	Cooperative Work Experience II
ELC 213	Instrumentation
ELC 234E	Electrical System Design
ELN 232	Intro. To Microprocessors
ELN 234	Communication Systems
ELN 236	Fiber Optics & Lasers