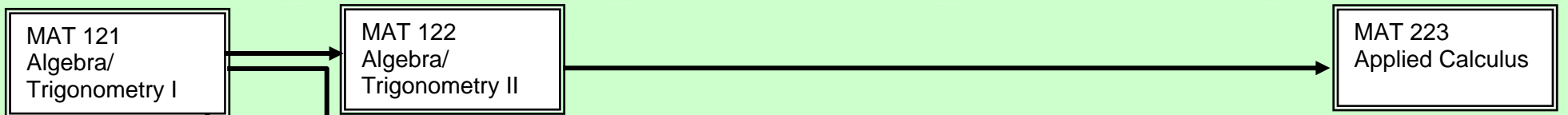


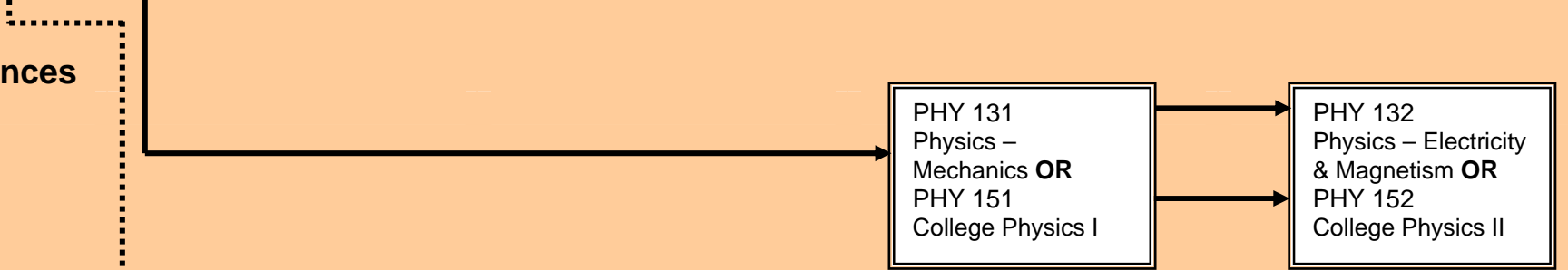
1. Communications Courses



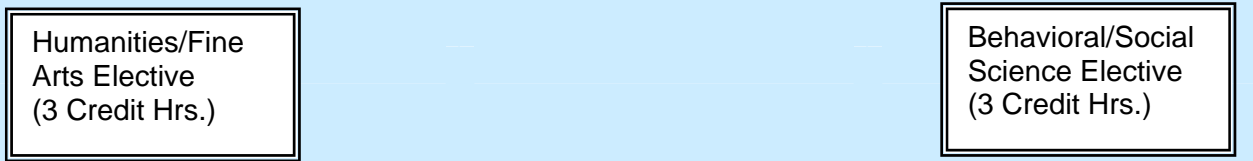
2. Mathematics Courses



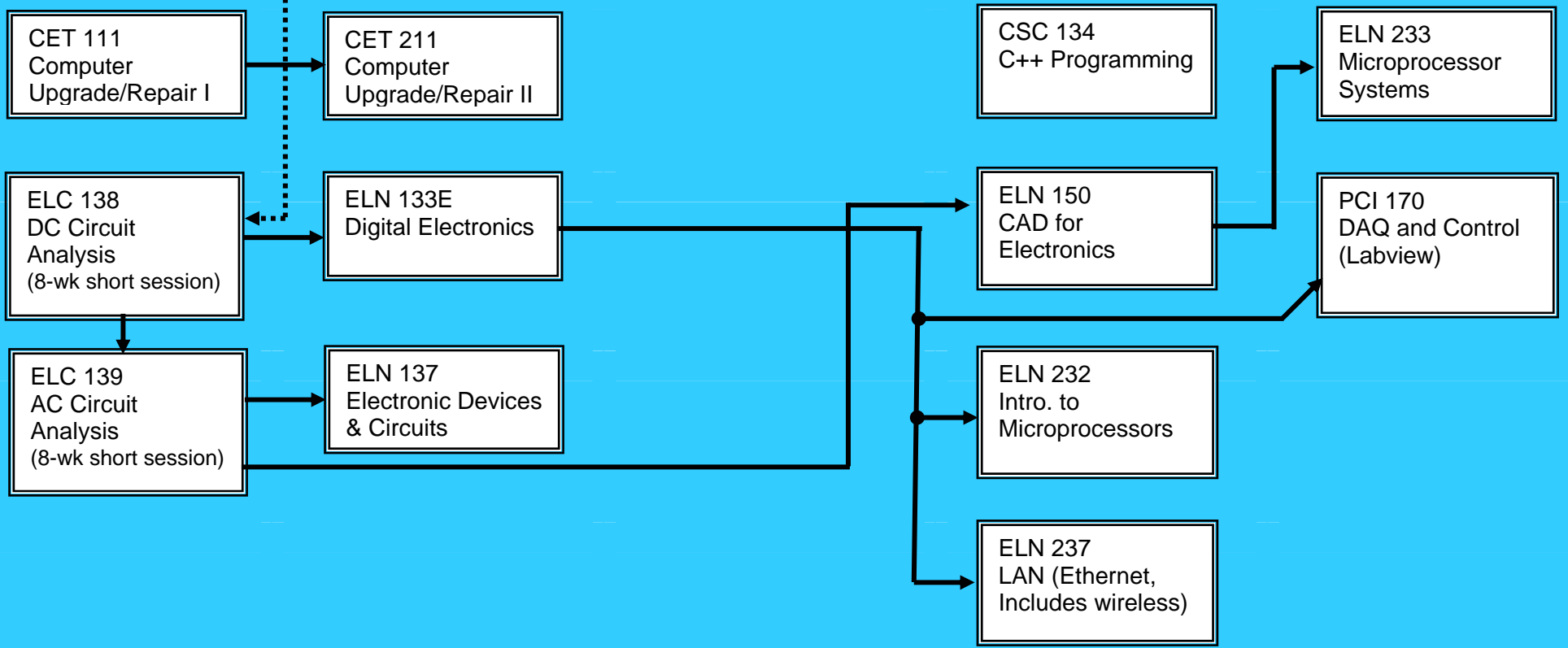
3. Physical & Natural Sciences



4. Social Sciences & Humanities



5. Technical Content



Legend:

—————> Prerequisite

.....> Corequisite

**COMPUTER ENGINEERING
TECHNOLOGY
CURRICULUM**
University 2 + 2 Track
(A40160)

Courses are classified into ABET Criterion 4 categories of:

- Communications
- Mathematics
- Physical & Natural Sciences
- Social Sciences & Humanities
- Technical Content